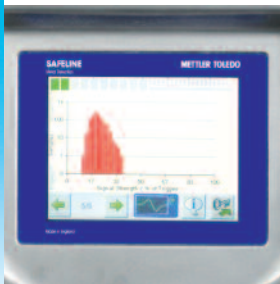


PowerPhasePRO

High Performance, Easy Operation



Touch Screen Control Panel

High visibility interface; simplicity of use; condition monitoring and statistical analysis.



Conveyor System

The new PowerPhasePRO customized conveyor system is designed by our in-house engineers to meet your specific needs.

Triple Frequency Metal Detection

The new PowerPhase PRO offers optimal sensitivity, a highly intuitive touch screen and improved connectivity capabilities:

- Triple frequency operation for the highest sensitivity across the broadest range of products.
- Enhanced one pass auto setup - 5 seconds every time!
- Color touch screen interface with intuitive controls and detailed statistical reports.
- Product clustering allows a family of products to be run with no operator intervention necessary at changeover and without sacrificing sensitivity.

The PowerPhasePRO detector is ideally suited for use in dry applications as well as harsh, washdown environments where sanitation is a primary concern.


SAFELINE PowerPhasePRO: Optimal Sensitivity; Simplicity of Use

Designed for seamless integration into processing and packaging lines, the PowerPhasePRO digital metal detectors protect products from stainless, ferrous and non-ferrous metal contamination.

FEATURES

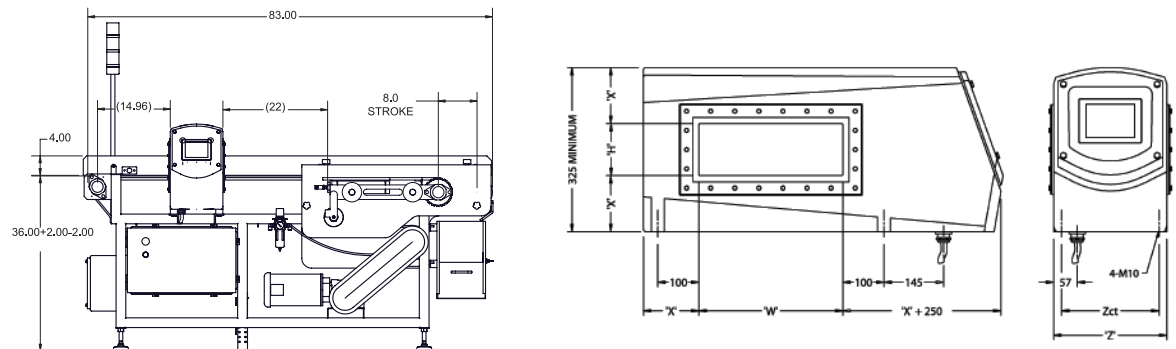
- User-friendly touch screen with 5.7" high visibility display. Provides 'walk by' operation with condition monitoring which can be viewed from a wide range of angles up to 12' away.
- 1 pass auto product setup; 5 seconds - every time.
- Multiple products can be inspected with one setting. The detector runs all product settings simultaneously.
- Automatic changeover to a different product is instantly recognized - there are no false rejects.
- Fully Ethernet enabled for bi-directional communication allowing real time remote control and ability to upload analytical reporting data.
- Connection to customer specific SCADA applications using ActiveX controls.

METAL DETECTOR

Construction	Stainless steel 304 bead blast finish
Protection Rating	IP69K; exceeds NEMA 4X
Electrical Supply	110 to 240 V a.c. 1ph
Approvals	UL: UL 61010B-1 2nd Ed;
	CE: LVD EN61010 2nd Ed; EMC Emissions BS EN 61000-6-3: 2001; Immunity BS EN 61000-6-2: 2001
	CSA: c22.2 no. 61010-1 2nd Ed
Manufacturing	ISO 9001:2000
User Interface	5.7" TFT LCD monitor with touch screen; high brightness, wide viewing angle; IP69K; exceeds NEMA 4X
Connectivity	Serial Port 1 RS232
	Serial Port 2 Configurable RS232/RS422/RS485/Ethernet 10/100 Base T
	Serial Port 3 Configurable RS232/RS422

CONVEYOR SYSTEM

Max. Product Weights	Standard systems up to 250 lbs; weights over 250 lbs, contact the Safeline sales office
Belt Types	Plastic intralox, tabletop chain, fabric and vinyl options
Belt Widths	2" - 60" in 1" increments
Reject Options	Stop belt, air blast, pusher, bi-directional overhead sweep, retracting nose, end flap, drop nose or sweep arm. Standard and customized options available
System Standards	BISSC Third Party Verified; 3A Dairy Certified; USDA Compliant



Subject to technical changes
 Printed in United States
 SLMD-US-DSE-PPP-08-2.5M

© Mettler-Toledo Safeline, Inc. Toll-Free 800-447-4439
 6005 Benjamin Road Tel: 813-889-9500
 Tampa, FL 33634 USA Fax: 813-881-0840
 e-mail: safeline.sales@mt.com

Visit us at
www.metalDetection.com